

Here is the finalized 2D plan for the virtual exhibition floor space. This plan will act as the basic bones of the floor, and will be used for the interior concept layouts.

The section view illustrates the height and thickness of the walls. Other labeled areas include the toilets and stairwell areas, and although these elements aren't relevant for the 'virtual' environment they still need to be recorded on these architectural plans.

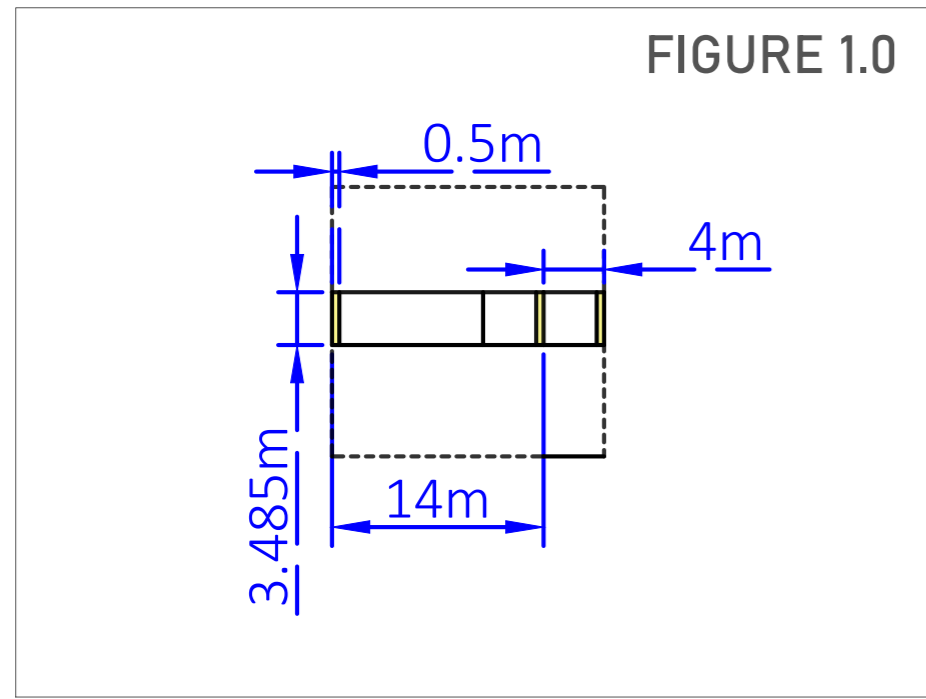
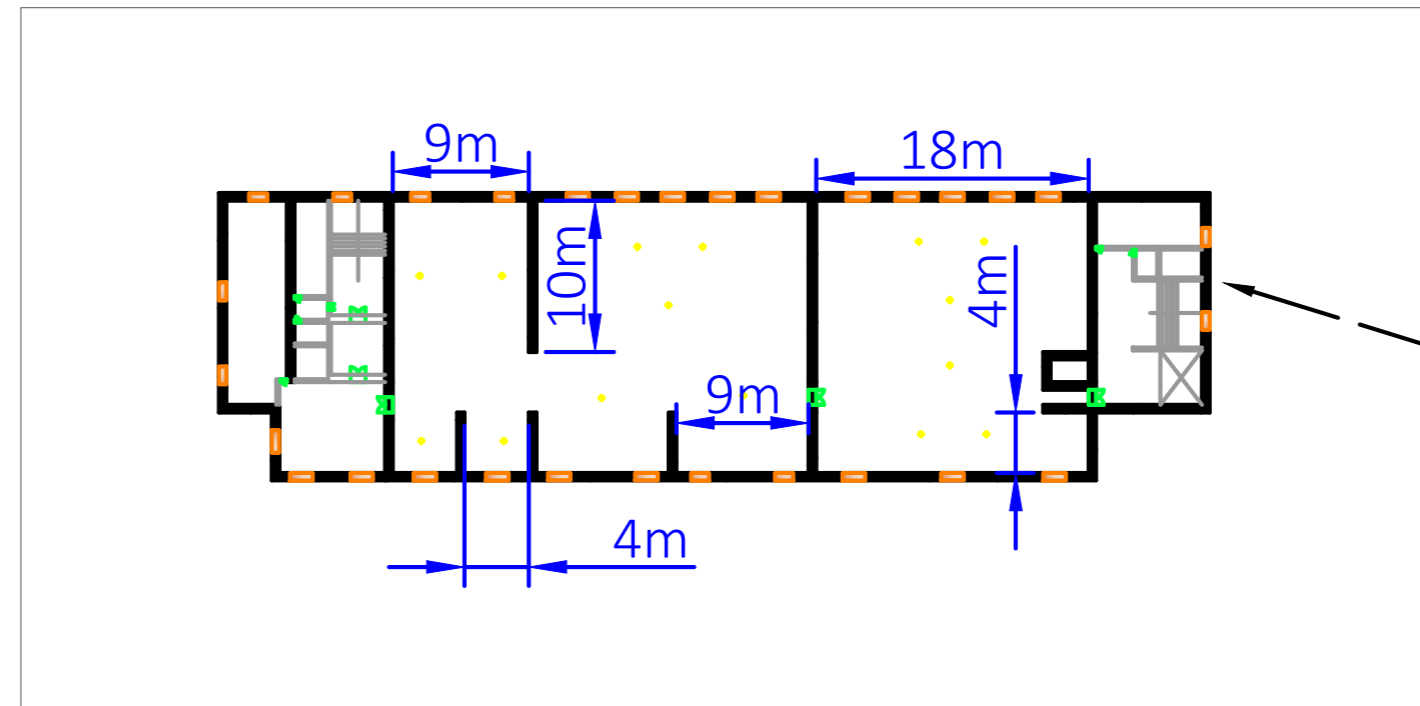


FIGURE 1.0

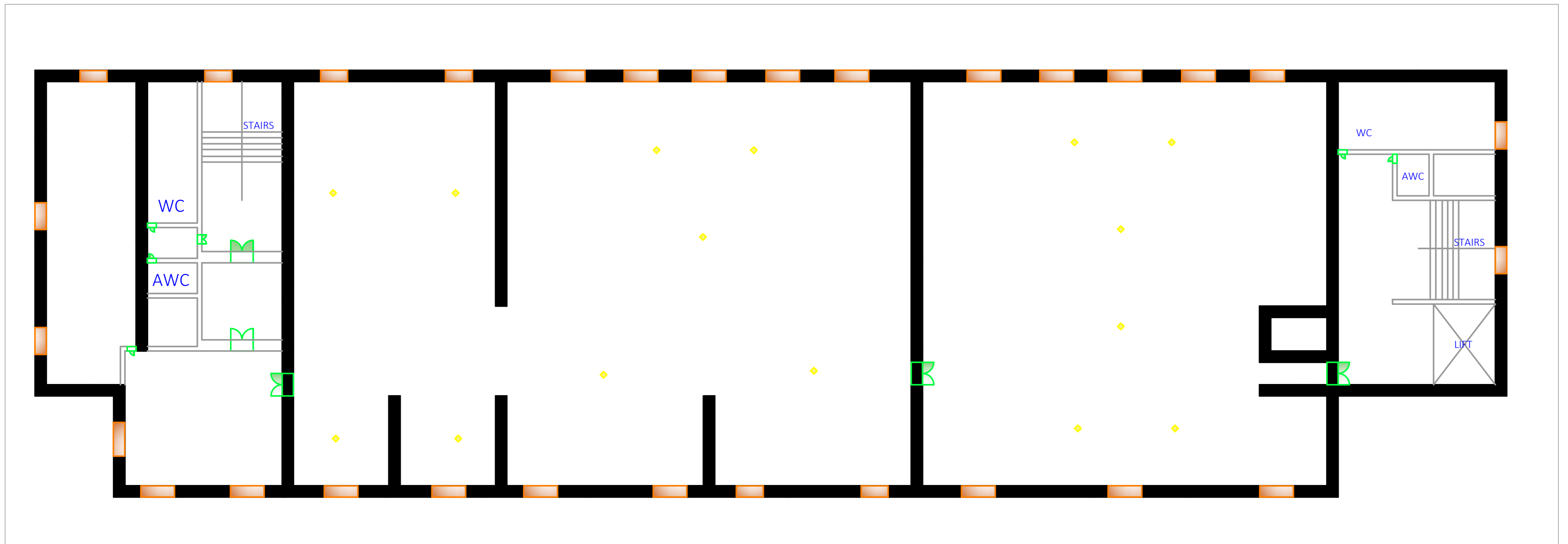
SECTION VIEW

SCALE - 1:500



SCALE - 1:500

FIGURE 1.0



SCALE -1:125

 www.lucyhopkins.winchesterdigital.co.uk	AUTHOR/NAME: Lucy Hopkins	TITLE: 2D Floor & Schematic Plans	
	DATE (made/edited): 09/10/20	PROJECT: 'Virtual Exhibition'	
	CONTACT: lucycreativedesign@gmail.com	PAPER SIZE: A2	SCALE: N/A